



Camera AFZ Ex Alu RS232
Article no. 010.0050.003501

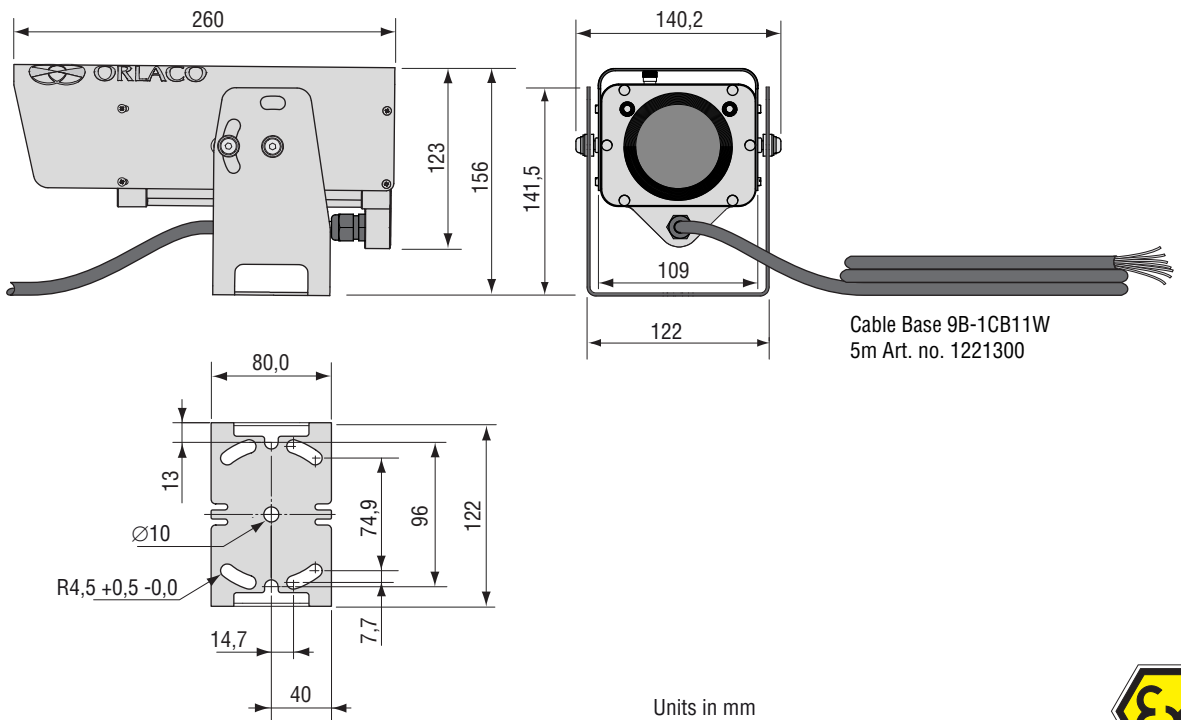
Camera AFZ Ex Sst RS232
Article no. 010.0050.003504

2016 • EN A 02

Product Data



Dimensions



ROLLOOS

ISO/TS 16949
ISO 9001
ISO 14001



TECHNICAL DATA

Camera AFZ Ex Alu/Sst

Article number	Description 010.0050.003501 Camera AFZ Ex Alu. RS232 010.0050.003504 Camera AFZ Ex Sst RS232
CCD sensor	Sensor 1/4" type Super HAD CCD II.
Effective pixels Hor. resolution	3 570000 pixels (PAL).
Lens speed	670 TV lines.
Angle of view (H)	f = 3,06 mm to 122,4 mm, F1.6 to F4.6; 40x optical, 12x digital(480x with optical zoom).
Min. object distance	From wide optical to tele optical 3,5 sec.
Min. illumination S/N ratio	60° (wide) 1,6° (tele).
TV system	10 mm (WIDE end), 1500 mm (TELE end).
	0,6 Lux (1/50 sec. PAL Typical) 0,04 Lux (1/3 sec. PAL Typical).
	50 dB or more.
	PAL, CVBS, Output: 1 Vtt composite video into 75 ohm.
Power input Power consumption Fuse	Electrical 24V/DC +/-10%. Temperature <0°C (heater on): 5,6W temperature >0°C (heater off): 3,6 W. The camera must be protected with a 315 mA-T fuse, with 1500A breaking capacity. Placed on the Ex board, see Installation manual IM0973031.
Presets	128 presets Visca and 255 presets Pelco-D.
Cable	Cable Base 9B-1CB11W, Art. no 1221300, length 10m, min. bending radius 50mm.
Communication	Communication via serial interface through pin nr. 5 and 6 of the 7 poles connector, Visca-, PELCO-D protocol (RS232) 9,6 Kbps, 8 bit, 1 stop bit, no parity. Um = 30V/DC.
Electrical parameters	
Construction Alu.	Mechanical Sun cover and housing: aluminium (ALMGSi1). Bracket and mounting parts: SSt 316.
Weight	3 kg (including 10m cable).
Protection	IP66/68 following IEC 60529. 1,4 Bar overpressure filled with dry nitrogen, monitored by 2 absolute sensors, long term stability 0,1%/year. Camera is also successfully tested IP69K following DIN 40050-9: camera can withstand a high pressure cleaning with water: 14-16L/min. 80°C and 100 bars flow.
Bracket	Standard bracket, including bolts, nuts and washers. Suitable for mounting hanging, overhead and standing.
Glass	Chemically hardened lens glass, 7x stronger than ordinary glass, scratch proof surface, following "VII Flachgläser" (German std.).
Operating temperature	T-amb. -40°C to +75°C.
Standards	Certification EN 60079-0 : 2009, EN 60079-18 : 2009, EN 60079-2 : 2007, EN 60079-31 : 2008, EN 60079-11 : 2007.
Green Passport	All materials are compliant to Green Passport requirements according IMO resolution MEPC.197(62) as adopted on 15 July 2011 (Maritime sector: International Maritime Organization concerning the functions of the Marine Environment Protection Committee).
Ex Specifications	CE0344 Ex II 2 G Ex ib mb px IIC T4 Gb. Ex II 2 D Ex mb tb IIIC T102°C Db.

NOTE For more installation and specification details see Installation Manual

All data subject to change without notice. All dimensions are for commercial purpose only.

The camera/display systems from Orlaco comply with the latest CE, ADR, EMC and mirror-directive regulations, where applicable. All products are manufactured in accordance with the ISO 9001 quality management system, ISO/TS 16949 quality automotive, ISO 14001 environmental management systems and all Ex products with the IECEx scheme and ATEX directives, where applicable.



Rolloos
Radarstraat 12
2901 AV Capelle aan den IJssel
The Netherlands
T: +31 10 4500 500
E: info@rolloos.com