



Compact Camera CCC 115° SST
Article no. 010.0050.000005

Compact Camera CCC 78° SST
Article no. 010.0050.003506

Compact Camera CCC 102° SST
Article no. 010.0050.003624

Compact Camera CCC 17° SST
Article no. 010.0050.003748

Compact Camera CCC 32° SST
Article no. 010.0050.003775

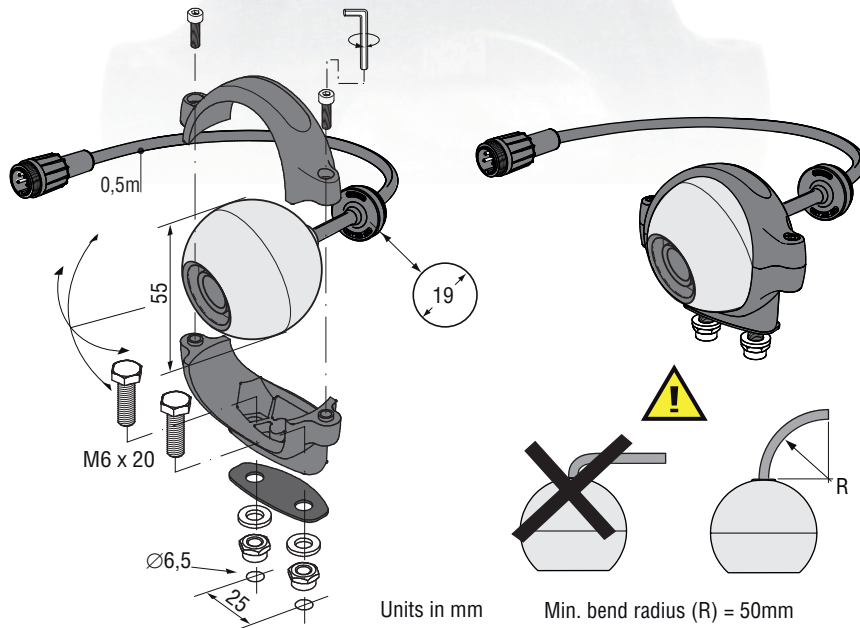
Compact Camera CCC 54° SST
Article no. 010.0050.003776

2015 • EN R3-0

Product Data



Dimensions



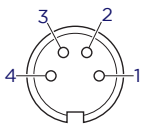
ROLLOOS



TECHNICAL DATA

Compact Camera CCC 32°, 54°, 78°, 102°, 115°, RVS

	Description				
Article number	010.0050.003775	010.0050.003776	010.0050.003506	010.0050.003624	010.0050.000005
Description	CCC 32°	CCC 54°	CCC 78°	CCC 102°	CCC 115°
Lens specified	32°	54°	78°	102°	115°
Horizontal lens angle	33°	52°	70°	95°	115°
Vertical lens angle	25°	39°	53°	71°	86°
T.V. system	PAL	PAL	PAL	PAL	PAL
Sensor element	1Vtt composite video into 75 Ohm.				
Picture elements	Color 1/4" interline transfer CCD.				
Light sensitivity	542(H)x586(V), resolution 380 TVL / 470TVL (enhanced). 0,5 Lux (f1,2) 5600°K.				
	Electrical				
Power input	Stabilised 12V/DC +/- 1,5V.				
Power consumption	Heating off: 75mA 0,9W, heating on: 270mA 2,6W.				
Heating	1 x 2,0 W heating, including demister, heating auto-activated at +15°C.				
Inrush current	At -40°C: 0,75A 1,0ms, at >+15°C: 0,5A 0,4 ms.				
Connectors	0,5m cable with 4 pins molded male connector (camera power-input and video-output).				
	Mechanical				
Housing	Stainless steel 316 brushed, cement resistant.				
Ingress protection	IP69K according to IEC 60529 (up to 10m under water). Camera housing can withstand high pressure cleaning with water; 14-16L/min. 80°C and 100 bars flow.				
Nitrogen filled	Filled with overpressure 1bar.				
Lens glass	SLR glass: patented lens glass technology darkening/lightening itself under low light/sunlight exposure from 310% to 375%in full -40°C to +85°C temperature range.				
Shock constancy	Shock and vibration resistant for usage on trucks, cranes, fork-lift trucks, maritime applications, machinery: According to IEC 60068-2-27 shock test.				
Vibration test	30G, 11ms and vibration test frequency (Hz): 5 to 1000, PSD (g ² /Hz) 0,02 to 0,7.				
Mounting hardware	Standard stainless steel.				
Truck use	Is able to withstand all fluids and materials used in and around trucks like: ammonia solution 5%, ethanol 80-100%, isopropanol 5-10%, soapy water (min. 50% soap per volume), alkaline degreasing compounds (used in high pressure washing equipment).				
Operating temperature	-40°C to +85°C.				
Camera bracket	Camera bracket is made of glass reinforced polyamide, survives torque test: 50 Nm at -40°C to +85°C.				
Weight	380gr.				
Min. cable bend radius	50mm.				
	Certification				
Approvals	EMC in compliance with 72/245EC, 2006/28/EC.				
Green Passport	All materials are compliant to Green Passport requirements according IMO resolution MEPC.197(62) as adopted on 15 July 2011 (Maritime sector: International Maritime Organization concerning the functions of the Marine Environment Protection Committee)				



Electrical connection

Front side molded male connector

- 1 = Coax core (Video signal)
- 2 = Coax screen (Video GND)
- 3 = Red (12V/DC)
- 4 = White Shielding (0V)

All data subject to change without notice. All dimensions are for commercial purpose only.

The camera/display systems from Rolloos comply with the latest CE, ADR, EMC and mirror-directive regulations, where applicable. All products are manufactured in accordance with the ISO 9001 quality management system, ISO/TS 16949 quality automotive, ISO 14001 environmental management systems and all Ex products with the IECEx scheme and ATEX directives, where applicable.



Rolloos
Radarstraat 12
2901 AV Capelle aan den IJssel
The Netherlands
T: +31 10 4500 500
E: info@rolloos.com